

Corrosion Control

Corrosion Guard – A00300

- Displaces Moisture & Clings to Vertical Surfaces
- Self-healing Film is Resistant to Moisture, Sand, Dirt, Dust, Etc.
- Combines CO₂ Propellant with a 360° Spray Valve for Easy Use in Any Position

Rust Guard – B00307

- 2-in-1 Copolymer Rust Treatment Neutralizes Rust
- Leaves Black Acrylic Coating
- Nonflammable Odorless Liquid
- Inhibits Rust for Up to a Year

MG-41 – A00393

- 4-in-1 Aerosol Lubricant & Penetrant (Contains P.T.F.E.)
- Displaces Moisture; Prevents Corrosion; Lubricates
- Nonchlorinated; Value Priced

Rust Treet – B00309

- Liquid Rust Remover & Phosphatizer
- Metal Prep Agent
- Phosphatizes Ferrous Metal Surfaces
- Improves Paint Adhesion
- Nonflammable

Moisture Guard – A00391

- 4-in-1 Aerosol Penetrating Oil (Contains P.T.F.E.)
- Lubricates; Excellent Rust Buster
- Displaces Water; Prevents Corrosion
- Maximum Corrosion Resistance
- Nonflammable, Non-Ozone Depleting

Penetrating Lubricants

Greaseless Lubricant – A00384

- Greaseless - Dries to a Non-oily Thin Film
- No Build-up - Resists Attracting Deposits
- 4-in-1 Action - Penetrates, Lubricates, Displaces Moisture, Resists Corrosion
- Dielectric Strength > 38KV
- Safe for Use on Most Plastics & Painted Surfaces
- Fortified with **CERFLON®** for Maximum Performance

Penetrant Lubricant – A00390

- Aerosol Fortified with P.T.F.E.
- Lubricates & Cleans Metal Parts
- Loosens Nuts & Bolts
- Prevents Corrosion & Displaces Moisture
- Nonflammable

Penetrating Lubricant EP – A00392

- Advanced Technology 4-in-1 Nondrying Oily Film Lubricant
- Environmentally Preferable Formula
- Penetrates, Lubricates, Displaces Moisture & Resists Corrosion
- Dielectric Strength > 19KV
- Fortified with **CERFLON®** for Maximum Performance

Moisture Guard – A00391

- 4-in-1 Aerosol Penetrating Oil (Contains P.T.F.E.)
- Lubricates; Excellent Rust Buster
- Displaces Water; Prevents Corrosion
- Maximum Corrosion Resistance
- Nonflammable, Non-Ozone Depleting

CERFLON® is a registered trademark of Ceramic Reinforced Technologies (CRT).



- Appearance Products
- ATF
- Brake, Parts & Carb Cleaners

- Corrosion Control
- Gear Oils
- Greases

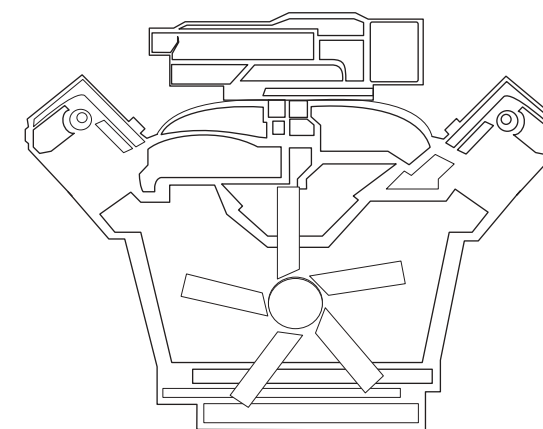
- Motor Oil
- Penetrating Lubricants



- Appearance Products
- ATF
- Brake, Parts & Carb Cleaners

- Corrosion Control
- Greases

- Motor Oil
- Penetrating Lubricants



- ATF
- Anti-Seize Compounds
- Battery Cleaner & Protector
- Carb Cleaners
- Corrosion Control
- Degreasers
- Motor Oil
- Parts Cleaners
- Penetrating Lubricants



Amrep –
Providing Innovative Solutions
for all Your Maintenance Needs

Appearance Products

Armour Plate – B00710

- RTU Liquid Protective Glossy Coating for Tires, Leather, Vinyl & Plastic
- Will Not Fingerprint, Smear, or Attract Dirt
- Cleans & Conditions; Silicone Emulsion

Armour Plate UVX Wipes – W00710

- Premium Cloth-Like Wipe
- Restores to “Like-New” Condition
- Cleans & Conditions Surfaces for Extended Life
- Long Lasting UVX Protective Barrier
- Ideal for Tires, Vinyl Tops, Dashboards, Seats, Etc.

Battery Cleaner & Protector – A00710

- Versatile 4-in-1 Aerosol
- Cleans, Detects, Neutralizes & Protects

Detailing & Dressing Spray – A00716

- Cleans & Leaves a Brilliant Shine
- Labor Saving Aerosol - No Wiping Required
- Auto/Fleet/Cycle/Marine/Aircraft/RV

Detailing Spray Cleaner & Polish – A00719

- Cleans, Polishes, Protects Paint & Chrome
- Labor Saving Aerosol - No Water Required
- Protects Against Sun Damage

Engine Degreaser – A00374

- Removes Grease, Grime, Oils & Dirt
- Unique Water-Based Aerosol Formula
- Fast Rinsing, Superior Degreasing

Greases

Anti-Seize Compound – G00737

- Lubrication to 2100°F; Extreme Pressure
- Waterproof; Protects Against Galling & Seizing
- No Lead or Copper; Includes Application Brush
- Protects Against Rust & Corrosion
- Use on Bolts, Spark Plugs, Threaded Fittings, Gaskets & Bushings
- Silver-Gray

No-Mess – A00739

- Barrier Pack Aerosol Version of Anti-Seize
- Application Compound Pad on Each Can
- Reduces Waste, Dripping & Mess; Silver

Open Gear & 5th Wheel Grease – G00736

- Non-melt Characteristics; Excellent Adhesion to Metals
- Resistant to Acids, Alkalies, Dust, Dirt & Water
- Protects Against Oxidation; Spatter Proof
- Each Case Includes a Caulking Tube Applicator
- Black

Lumin Brite Concentrate – B00781

- Aluminum Cleaner & Brightener
- Removes Oxides, Road Film & Diesel Smoke
- Acid-Based Liquid; Economical to Use

Mean Green – B00704

- Concentrated Heavy Duty Degreaser
- Nonflammable & Nonbutyl; Alkaline
- Excellent for Pressure Washing
- Green Color; No Offensive Odors

Route 66 Vehicle Wash – B00703

- Premium Liquid Vehicle Spray & Wash
- Concentrated; Dilute from 1:16 to 1:128
- Dissolves Road Film; Free Rinsing & Streak-Free

Super Auto Clean – B00702

- High-Foam Formula Shampoo for Hand Washing or Foaming Application
- Concentrated; Dilute from 1:20 to 1:64

Windshield Washer Solvent – B00795

- Fast Acting; Nonammoniated
- Concentrated Windshield Cleaner

Red Grease #1 – G00726

- Resistant to Acids, Water, Salt Spray, Dirt, Dust & Steam
- Adhesive/Cohesive Properties; Impact Resistance
- Corrosion & Rust Inhibitor; 65 lb Timken OK Load; Antiwear
- NLGI #1 Grade for Enhanced Low Temp Properties
- Red

Red Grease #2 – G00726

- Resistant to Acids, Water, Salt Spray, Dirt, Dust & Steam
- Adhesive/Cohesive Properties; Impact Resistance
- Corrosion & Rust Inhibitor; 65 lb Timken OK Load; Antiwear
- NLGI #2 Grade
- Red

Brake, Parts & Carb Cleaners

Brake & Parts Cleaner – A00733

- Removes Brake Fluid, Grease & Oil
- Blast Spray Aerosol with Chlorinated Solvents
- Non-Ozone Depleting; Nonflammable
- Not for Sale in California

Brake & Parts Cleaner EF – A00732

- Blasts Away Deposits with Powerful Stream
- No Chlorinated or Fluorinated Solvents
- Removes Brake Fluid, Grease & Oil; Aerosol
- Contains No Lead, Phosphorous or Silicone

Brake & Parts Cleaner EF – B00732

- Fast Drying, No-Residue Liquid
- No Chlorinated or Fluorinated Solvents
- Removes Brake Fluid, Grease & Oil
- Contains No Lead, Phosphorous or Silicone

Brake & Parts Cleaner II – A00734 ♦

- Blasts Away Deposits with Powerful Stream
- No Chlorinated or Fluorinated Solvents
- Removes Brake Fluid, Grease & Oil; Aerosol
- Contains No Lead, Phosphorous or Silicone
- No Residual Odor; Fast Dry
- Safe on Most Paint & Plastic

Brake & Parts Cleaner II – B00734 ♦

- Removes Brake Fluid, Grease, Oily Dirt, Etc.
- No Ozone Depleters or Chlorinated Solvents
- Fast Drying Liquid

Fuel Conditioners & Treatments

CF5D Diesel Fuel Stabilizer – G00421

- Ignition Improver; Gum Dispersant
- Low Temperature Flow Improver Included
- Anti-oxidant to Improve Storage Stability of Fuel
- Moisture Displacing Corrosion Inhibitor; Added Lubricity; Cetane Improver
- Requires Federal EPA Fuel Additive Registration
- Diesel Only; Clear

FI-50 Diesel Fuel Flow Improver – G00422

- Allows Use of #2 Diesel Fuel All Year
- Economical; Reduces Pour Point
- Requires Federal EPA Fuel Additive Registration
- Can Be Used with G00421, G00422 & G00423
- Diesel Only; Clear

Choke & Carb Cleaner – A00736

- Removes Varnish & Gum
- Eliminates Stalling & Rough Idling
- No Chlorinated or Fluorinated Solvents
- No Lead, Phosphorous or Silicone
- Will Not Harm Oxygen Sensors, Catalytic Converters or Fuel Injection Systems
- Private Label Requires Federal EPA Fuel Additive Registration

ICS 140 – B00362 ♦

- Nonchlorinated, Non-Ozone Depleting Solvent
- Very Low Residue, Low Odor
- Greater Than 140° F Flash Point
- Inhibits Corrosion

ICS 170 – B00363

- Nonchlorinated, Non-Ozone Depleting Solvent
- Low Residue, Low Odor
- Greater Than 170° F Flash Point
- Inhibits Corrosion
- No VOCs; Slower Drying for Better Penetration

MDA7 Starbrite Diesel Fuel Improver – G00423

- Contains Dispersants, Detergents, Corrosion Inhibitors, Combustion Catalysts & Algae Dispersants
- Requires Federal EPA Fuel Additive Registration
- Diesel Only; Clear

X-10 Fuel Conditioner – G00420

- Efficient, Cleaner Combustion & Increased Mileage
- Neutralizes Sulphur & Acids; Absorbs Moisture
- Cleans Injectors & Carburetors; Stops Valves from Sticking
- Requires Federal EPA Fuel Additive Registration
- Gas Diesel or L.P.G. Engines; Red

♦ **NOTE:** This product is not intended for sale or use in the following Volatile Organic Compound restrictive states: CA, DE, MD, NJ, NY, PA, and DC, and in the states of CT, MA, ME, NH, RI, VA and VT at the time of their effective date of regulation.

Functional Fluids

All-in-One Transmission Fluid – G00391

- Anti-wear; Excellent Lubricity; Red
- Temperature Stability; Oxidation Resistance
- Meets Dexron II, Ford M2C166-H, Caterpillar T0-2, Allison C-3

High Load (SAE90) – G00399

- Non-foaming; Non-corrosive; Prevents Rusting
- Low Pour Point; Will Not Mix & Emulsify with Water
- Reduces Frequency of Oil Changes
- Vehicular/Industrial; Green

High Load (SAE140) – G00379

- Non-foaming; Non-corrosive; Prevents Rusting
- No Dry Starts; Minimum Wear on Gears
- Low Pour Point; Will Not Mix & Emulsify with Water
- Vehicular/Industrial; Green

High Load (SAE85W-140) – G00380

- Non-foaming; Non-corrosive; Prevents Rusting
- No Dry Starts; Minimizes Wear on Gears
- All Season Gear Oil; Will Not Mix with Water
- Vehicular/Industrial; Green

Oil Supplements

50K Engine Treatment – G00425

- One Quart, 50,000 Mile Engine Treatment
- Reduces Friction & Wear; More Efficient Engine Performance
- Easier Starting; Improves Lubricity; Reduces Heat; Amber

Gear Plus – G00371

- Extends Oil Life; Reduces Friction with MSX4
- Reduces Operating Temperatures
- Reduces Wear & Gear Scoring
- No Dry Starts; Quiets Noisy Gears & Bearings
- Red

Superfilm Engine Oil (SAE15W-40) – G00412

- Additives for Anti-scurf, Anti-wear, Detergency, Dispersants, Oiliness Foam, Oxidation, Rust & Corrosion Inhibitors
- Stabilizing Agents; Amber
- Meets MIL-L46152D for Gasoline & Diesel Engines
- Meets MIL-L2104F
- Meets A.P.I. Service Classifications
- Exceeds the Performance Requirements of: Detroit Diesel, Detroit Diesel CD-11, Mack (EO-J, EO-K/2, EO-L), Caterpillar (S-3, TO-2), Volvo B-20, MIL-L-46152D, MIL-L-2104E & Ford, Chrysler & I.H. Requirements for Alkyl Zinc

Superfilm Universal Tractor Fluid – G00390

- Meets Allison C-3/C-4
- Contains Zinc dithiophosphate
- Pour Point & Foam Depressants
- Rust, Corrosion, & Oxidation Inhibitors
- Stabilizing & Tacking Agents; Red

X-20 Moto Guard Oil Conditioner – G00424

- Increases Oil Pressure; Reduces Frictional Drag
- Reduces Lifter & Valve Noise; Increases Horsepower & Mileage
- Reduces Piston Scuffing & Scoring
- Restores Viscosity Index
- Amber